

Attachments

The mixing beater attachments are ideal for mixing light ingredients, such as egg whites, cream and instant desserts. To avoid spillage, it is best to start slowly and build up to the required speed one setting at a time.

The dough hook attachments are ideal for mixing bread dough. For best results, make sure that the dough is not too dry and use the dough hooks on a lower speed setting.

Problem	Possible cause	Solution
The hand mixer will not operate.	The hand mixer is not connected to the mains power supply.	Plug in and switch on the hand mixer at the mains power supply. Attach the mixing beater/dough hook attachments onto the hand mixer motor unit by aligning the tabs and pushing in until they click into place. Ensure the attachment with the gear is on the right side of the hand mixer. Allow the hand mixer to cool for approx. 3 minutes before using it again.
The attachments will not move when in contact with ingredients.	The mixture is too dry.	Add liquid to the mixture.

Storage

Check that the hand mixer is cool, clean and dry before storing in a cool, dry place.

Never wrap the cord tightly around the hand mixer; wrap it loosely to avoid causing damage.

Specifications

Product code: EK6518

Input: 220–240 V ~ 50–60 Hz

Output: 300 W



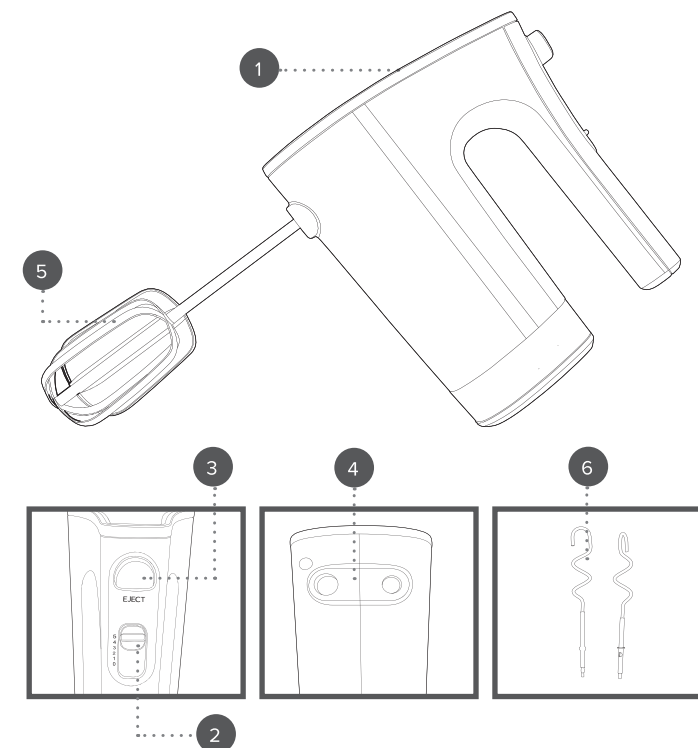
Disposal of Waste Batteries and Electrical and Electronic Equipment



This symbol on the product, its batteries or its packaging means that this product and any batteries it contains must not be disposed of with household waste. Instead, it is the user's responsibility to hand this over to an applicable collection point for the recycling of batteries and electrical and electronic equipment. This separate collection and recycling will help to conserve natural resources and prevent potential negative consequences for human health and the environment due to the possible presence of hazardous substances in batteries and electrical and electronic equipment, which could be caused by inappropriate disposal. Some retailers provide take-back services which allow the user to return exhausted equipment for appropriate disposal. **It is the user's responsibility to delete any data on electrical and electronic equipment prior to disposal.** For more information about where to drop batteries, electrical and electronic waste off, please contact the local city/municipality office, household waste disposal service, or the retailer.

User manual

Hand mixer



1. Hand mixer motor unit
2. 5-speed selector switch
3. Attachment eject button
4. Attachment slots

5. Mixing beater attachments
6. Dough hook attachments

Manufactured by:
Ultimate Products UK Ltd.,
Victoria Street, Manchester OL9 0DD. **UK.**
Ultimate Products Europe Ltd.,
19 Baggot Street Lower, Dublin D02 X658. **ROI.**

MADE IN CHINA.

CD111024/MD000000/V1

Please retain instructions for future reference.

SAFETY INSTRUCTIONS

- When using electrical appliances, basic safety precautions should always be followed.
- Check that the voltage indicated on the rating plate corresponds with that of the local network before connecting the appliance to the mains power supply.
- This appliance can be used by children aged from 8 years and above and persons with reduced physical, sensory or mental capabilities and knowledge, if they have been supervised/instructed and understand the hazards involved.
- Children shall not play with the appliance.
- Children should not perform cleaning or user maintenance, unless they are older than 8 and supervised.
- This appliance is not a toy.
- If the power supply cord, plug or any part of the appliance is malfunctioning or if it has been dropped or damaged, cease using the product immediately to avoid potential injury.
- This appliance contains no user serviceable parts, only a qualified electrician should carry out repairs. Improper repairs may place the user at risk of harm.
- Keep the appliance and its power supply cord out of the reach of children.
- Keep the appliance out of the reach of children when it is switched on or cooling down.
- Keep the appliance and its power supply cord away from heat or sharp edges that could cause damage.
- Keep the power supply cord away from any parts of the appliance that may become hot during use.
- Keep the appliance away from other heat emitting appliances.
- Do not allow the power supply cord to hang over worktops, touch hot surfaces or become twisted.
- Do not immerse the electrical components of this appliance in water or any other liquid.
- Do not operate the appliance with wet hands or if any connections are wet.
- If this appliance falls or accidentally becomes immersed in water, unplug it from the wall outlet immediately. Do not reach into the water.
- Do not leave the appliance unattended whilst connected to the mains power supply.
- Do not remove the appliance from the mains power supply by pulling the cord; switch it off and remove the plug by hand.
- Do not pull or carry the appliance by its power supply cord.
- Do not use the appliance for anything other than its intended use.

- Do not use any accessories other than those supplied.
- Do not use this appliance outdoors.
- Do not store the appliance in direct sunlight or in high humidity conditions.
- Do not move the appliance whilst it is in use.
- Do not touch any sections of the appliance that may become hot during use, as this could cause injury.
- Always unplug the appliance after use and allow it to cool fully before any cleaning, user maintenance or storing away.
- Always use the appliance on a stable, heat-resistant surface, at a height that is comfortable for the user.
- This appliance should not be operated by means of an external timer or separate remote control system.
- Use of an extension cord with the appliance is not recommended.
- This appliance is intended for domestic use only. It should not be used for commercial purposes.



CAUTION: Do not touch any moving parts on this appliance during use, as this could cause injury. Keep hands, fingers, hair and any loose clothing away from the rotating tools of the appliance.

Dos and don'ts

DO:

Switch off the hand mixer and disconnect it from the mains power supply before changing or fitting attachments.

DON'T:

Use attachments if they are loose, damaged or broken.

Care and maintenance

STEP 1: Switch off and unplug the hand mixer from the mains power supply before performing any cleaning or user maintenance.

STEP 2: Wipe the hand mixer motor unit with a soft, damp cloth and allow to dry thoroughly.

STEP 3: Wash all of the attachments in warm, soapy water, then rinse and dry thoroughly. Do not use harsh or abrasive detergents or scourers to clean the hand mixer, as this could cause damage. The hand mixer is not suitable for use in a dishwasher. The attachments are suitable for dishwasher use.



NOTE: The hand mixer should be cleaned after each use. Instructions for use

Before first use

Clean the hand mixer and its attachments following the instructions in the section entitled 'Care and maintenance'.

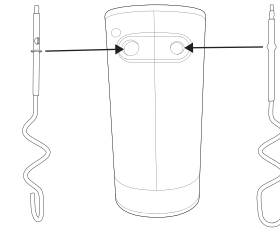


NOTE: When using the hand mixer for the first time, a slight odour may be emitted. This is normal and will soon subside. Allow for sufficient ventilation around the hand mixer.

Using the hand mixer

All attachments must be securely fitted before use; do not attempt to remove them until the attachment has stopped moving.

STEP 1: Before connecting the hand mixer to the mains power supply, carefully secure the attachments onto the hand mixer motor unit by aligning the tabs and pushing in until they click into place. The attachments with the ring on the stem must be inserted into the slot with the larger circle icon.



STEP 2: Place the ingredients to be prepared into a mixing jug or bowl, then plug in and switch on the hand mixer at the mains power supply.

STEP 3: With the attachment secure, lower into the mixing bowl or jug and then move the 5-speed selector switch to the desired speed setting.

STEP 4: Slowly move the hand mixer in a clockwise direction to avoid splashing. Once mixing is complete, move the 5-speed selector switch back to '0' to switch off the hand mixer.

STEP 5: After use, switch off and unplug the hand mixer from the mains power supply. Remove the attachments by gently pulling them outwards whilst holding down the eject button. Do not press the eject button without holding the attachments, as they may drop.



NOTE: Whilst mixing liquid, especially hot liquid, use a tall container or mix small quantities at a time to reduce spillage, splattering and the possibility of injury from scalding. Switch off and unplug the hand mixer from the mains power supply before attempting to remove the attachments and before cleaning. Maximum operation time is approx. 1 minute. Allow to cool for approx. 3 minutes before using the hand mixer again.